

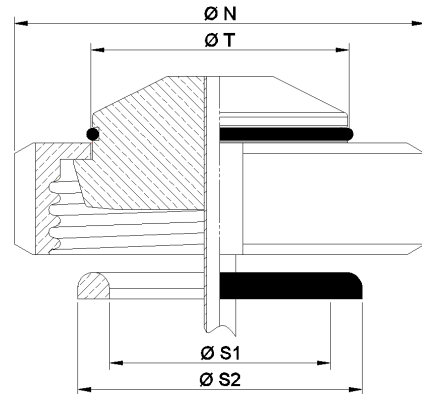
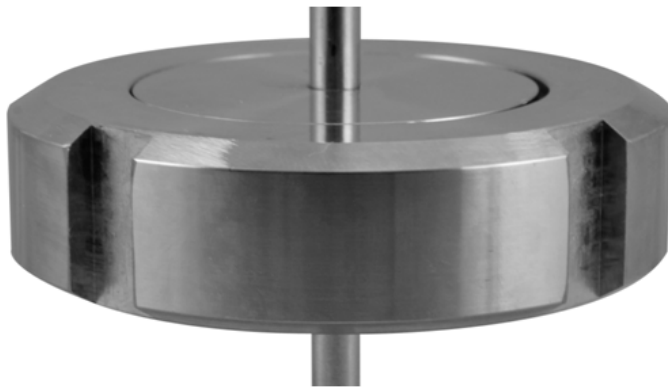
THERMO CONNECTIONS

PCI's range of thermometers and RDT's can be fitted with either non hygienic or hygienic process connections for use in food and pharmaceutical plants where cleanliness of the internal surfaces is paramount.

The specifications for each thermo connection can be found below.

DIN CONNECTION

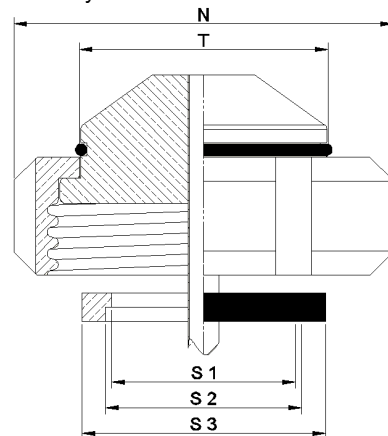
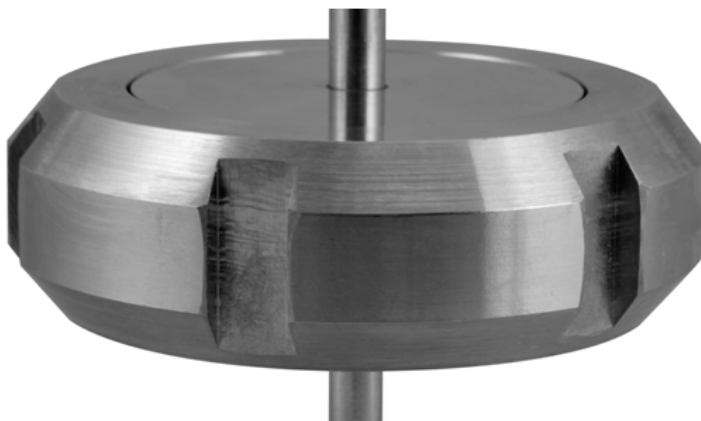
Union compliant with the German Institute for Standardisation (DIN)



Connection Type DIN						
Connection Size	25mm	32mm	40mm	50mm	65mm	80mm
Nut Size (N)	63	70	78	92	112	127
Thread ID (T)	52	58	65	78	95	111
Sealing Ring ID (S1)	30	36	42	54	71	85
Sealing Ring OD (S2)	40	46	52	64	81	95

SMS CONNECTION

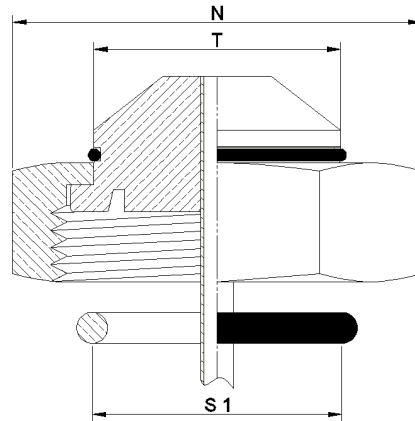
The Swedish Mechanical Standard (SMS) union provides a hygienic connection very similar to DIN



Connection Type SMS						
Connection Size	Imperial	1"	1.1/2"	2"	2.1/2"	3"
	Metric	25mm	38mm	51mm	63.5mm	76mm
Nut Size (N)		51	74	84	100	114
Sealing Ring ID (S1)		22.8	35.8	48.8	61	73.4
Sealing Ring lip ID (S2)		25.1	38.1	51.1	63.6	76.1
Sealing Ring OD (S3)		31.8	47.8	60.8	73.3	85.8

RJT / BSM CONNECTION

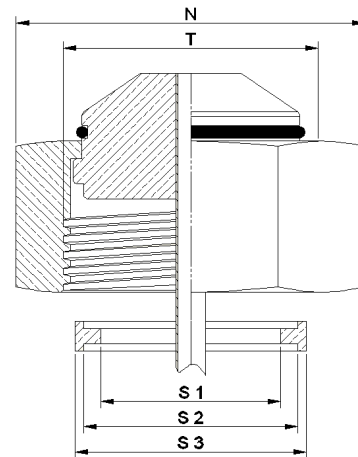
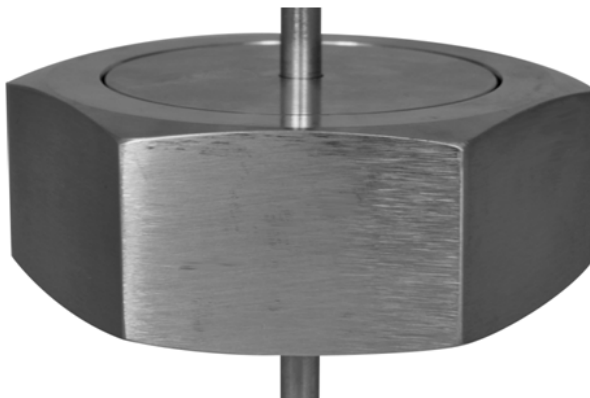
Hexagonal nut Ring Join Type (RJT) couplings is very popular in the UK. Used for many applications in the dairy, brewery, food processing and general engineering industries



Connection Type RJT					
Connection Size	1"	1.1/2"	2"	2.1/2"	3"
Nut Size (N)	50.8	65	79.4	92.1	104.8
Thread ID (T)	46.6	58.7	73	85.7	94.5
Sealing Ring (S)	33.3	46	58.7	71.4	84.1

IDF CONNECTION

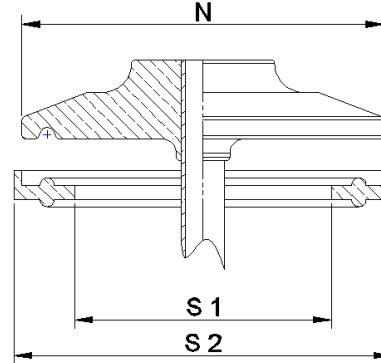
The International Dairy Federation (IDF) union provides a crevice-free joint originally designed for applications where frequent dismantling for cleaning would not be necessary. The IDF fitting is considered to be a superior fitting to RJT as it has a smoother, cleaner bore reducing the possibility of bug traps etc. Ideal for use with CIP (Clean In Place) systems.



Connection Type IDF					
Connection Size	1"	1.1/2"	2"	2.1/2"	3"
Nut Size (N)	46	60	75	90	105
Thread ID (T)	34.34	47.86	61.37	74.88	88.4
Sealing Ring ID (S1)	23.2	35.9	48.6	61.3	74
Sealing Ring Lip ID (S2)	29.2	42.7	56.2	69.9	82.6
Sealing Ring OD (S3)	32.5	46	59.5	73.2	86.5

TRI-CLAMP CONNECTION

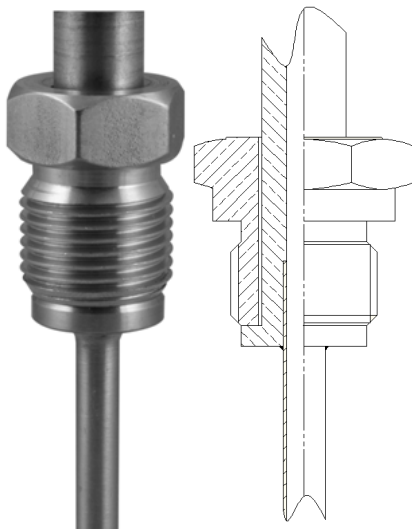
Tri-Clamp uses two ferrules clamped together with a sealing ring to form a superior hygienic union. The two ferrules have a tapered flange which when compressed by the clamp forms a tight hygienic seal. Widely used on continental Europe for many years they are now very popular in the UK. The clamp can be removed by hand using the wing nut, no spanners required. This is particularly useful where the product line needs to be checked frequently.



Connection Type SMS							
Connection Size	1/2"	3/4"	1"	1.1/2"	2"	2.1/2"	3"
Nut Size (N)	25	25	50.5	50.5	64	77.5	91
Sealing Ring ID (S1)	16.3	16.3	35.8	35.8	48.8	60.5	73.1
Sealing Ring OD (S2)	21.8	21.8	52.7	52.7	66.2	79.7	93.2

FIXED COLLAR CONNECTION

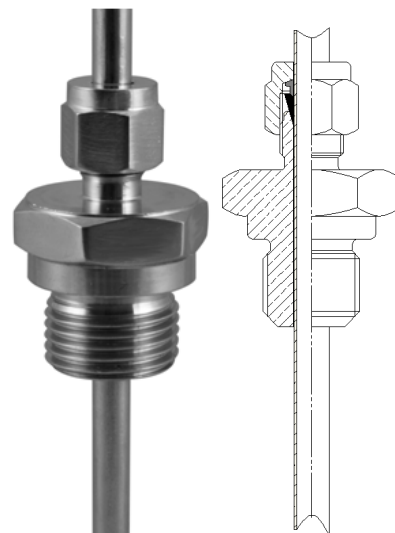
A ferrule welded below the BSP, positioned against the seat of the socket prevents the process medium from entering and accumulating in the BSP. The matching welding boss available. Mainly used in the food processing industries.



Connection Type FIXED COLLAR				
Connection Size	1/2"	3/4"	1"	1.1/2"

ADJUSTABLE CONNECTION

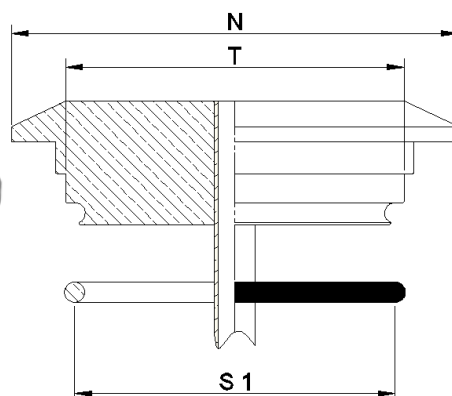
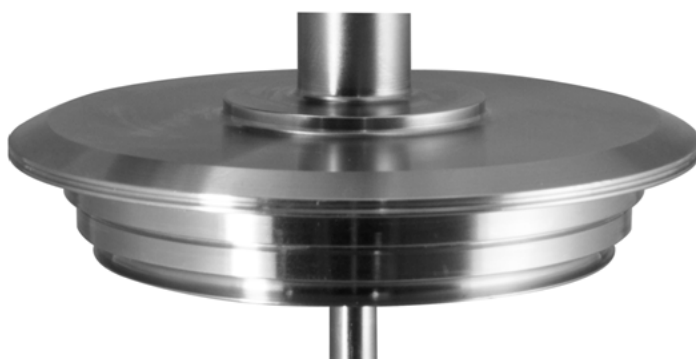
The adjustable or sliding connection provides a simple means of adjusting the stem length in the medium and can be used in conjunction with a thermowell.



Connection Type SLIDING FITTING							
Connection Size	3/8"	1/2"	3/4"	1"	1.1/2"	2"	2.1/2"

VARIVENT CONNECTION

Hygienic connection designed for the Varivent Inline Access Unit.



VARIVENT® COMPATIBLE CONNECTION (Model TU) <small>(registered trademark of Tuchemhagen GmbH)</small>					
	G	D	H	h	d_M
form F	66	50	19	12.3	40
form N	84	68	19	12.3	60