



Introduction

The pressure gauges series TP400 feature a solid front between the bourdon tube and dial and include a blow-out back to allow any blast to release to the rear of the gauge. Full safety pattern type gauges are often used on gas and steam applications in excess of 25 bar to prevent any danger in case the bourdon tube might rupture.



Specifications

- Diameters: 100-150 mm
- Case and ring: st. st. 304, bayonet type ring
- Protection degree: IP65
- Window: safety glass
- Movement: st. st., reinforced
- Dial: aluminium with black numerals on white background
- Pointer: aluminium, black painted, adjustable
- Blow out: neoprene, upper
- Sensing element: Bourdon tube type, with “C” form for pressure ≤60 bar, helical wound for pressure ≥ 60 bar
- Element material : AISI 316L, MONEL 400
- Socket material: AISI 316L, MONEL 400
- Connection dimension: ½” BSPM or NPTM
- Construction according to PED directive 97/23/EC (on request)

- Mounting:
 - type A bottom connection, direct mounting
 - type D back connection, direct mounting
 - type E panel mounting, back connection
- Ranges: see table at page 2
- Overpressure: +30% F.S. for range up to 60 bar
+15% F.S. for ranges from 100 to 600 bar
+10% F.S. for ranges from 1000 bar
- Accuracy: class 1, acc. to EN837 at 20°C
- Ambient temperature limit: -30/+60°C
- Fluid temperature limit: -30/+100°C element in 316L
- Temperature error: 0,035%/°C in range 0/60°C
- Construction acc. to ATEX directive 94/9/EC , gr.II cat. 2GDc (on request)
- Construction according to PED directive 97/23/EC (on request)

Options

- Overpressure 100% A.C.
- Case DN63
- Accuracy 0,5%
- Case in AISI 316
- Glycerine filling for ambient temperature -25/+60 °C
- Silicone oil filling for ambient temperature -40/+60 °C
- Filling with fluorinated oil suitable for use on Oxygen and for ambient temperature -60/60 °C
- Degreasing for use on oxygen
- Autoclave version for up 150 °C ambient
- Mounting with diaphragm seal (see related datasheet)
- Electrical contacts (see related datasheet)
- Pulsation dampener (see related datasheet)
- Overpressure protector (see related datasheet)
- Syphon (see related datasheet)
- Needle valve (see related datasheet)

Available certification

- 2.1 certificate of conformity
- 3.1 material certificate
- Test certificate for indication accuracy
- ATEX 94/9/EC conformity certificate (for ATEX version)

How to order

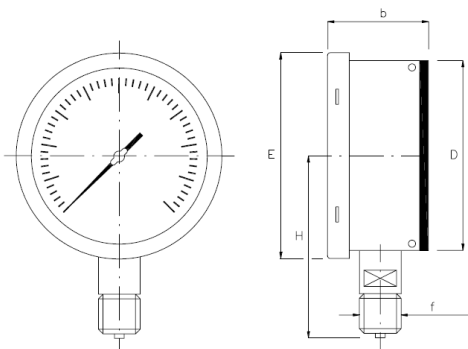
Please specify: model, mounting, case diameter, range, connection, options, certificates

Example: TP400, A, 100 mm, 0/10 bar, ½” BSPM,

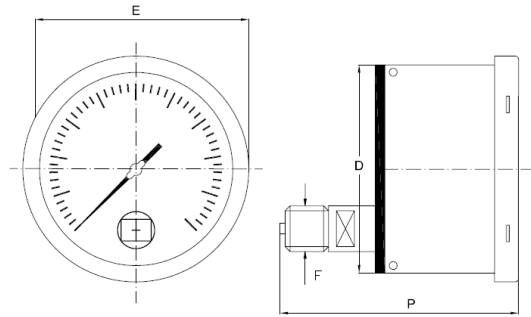
Pressure														
bar	0/0,6	0/1	0/1,6	0/2,5	0/4	0/6	0/10	0/16	0/25	0/40	0/60	0/100	0/160	0/250
psi		0/15	0/30	0/60	0/100	1/160	0/200	0/300	0/400	0/600	0/800	0/1000	0/1500	0/2000
bar	0/315	0/400	0/600	0/1000	0/1600									
psi	0/5000	0/6000	0/10000	0/15000	0/20000									

Vacuum and compound								
bar	-1/0	-1/+0,6	-1/+1,5	-1/3	-1/+5	-1/+9	-1/+15	-1/+24
psi	-100/0		-100/+150	-100/+300	-100/+500	-100/+900	-100/+1500	-100/+2400

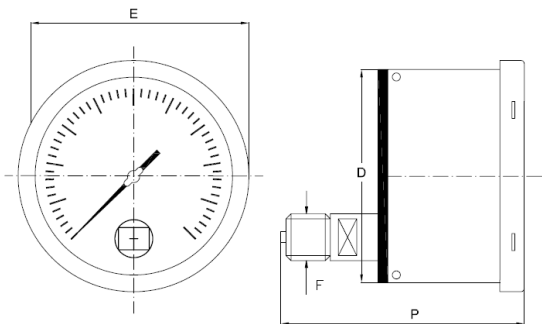
Other ranges and double scales available on request



Type A: Direct mounting, bottom connection



Type D: Direct mounting, back connection



Type E: Panel mounting, 3 hole front flange, back connection

DN	b	D	E	H	L	N	S	Connection	Weight kg dry	Weight kg gly filled
100	51	101	115	87	116	87	130	½" BSP/NPT	0,700	1,050
150	57	150	166	120	175	89	190	½" BSP/NPT	1,400	1,900