



### Introduction

The all stainless steel industrial pressure gauge model TP300 can be used on chemical, petrochemical plants, onshore and offshore applications, machinery, food processing and the pharmaceutical industry.



### Specifications

- Diameters: 63-80-100-125-150-200mm
- Case and ring: st. st. 304, bayonet type ring
- Protection degree : IP55/IP65 (EN60529/IEC529)
- Window: acrylic
- Movement: st. st., reinforced
- Dial: aluminium with black numerals on white background
- Pointer: aluminium, black painted, micrometric adjustable
- Blow out: neoprene, upper
- Sensing element: Bourdon tube type, with “C” form for pressure ≤60bar, helical wound for pressure ≥ 60bar
- Element material : AISI 316L , MONEL 400
- Socket material: AISI 316L , MONEL 400
- Welding: T.I.G.
- Connection dimension: ½”BSPM or NPTM (1/4” for DN63)
- Construction according to PED directive 97/23/EC (on request)

- Mounting:
  - type A bottom connection, direct mounting
  - type B panel mounting, clamp fixing, back connection
  - type C surface mounting, bottom connection
  - type D back connection, direct mounting
  - type DC center back connection, direct mounting
  - type E panel mounting, back connection
  - type EC panel mounting, center back connection
- Ranges: see table at page 2
- Overpressure: +30% F.S. for range up to 60bar  
+15% F.S. for ranges from 100 to 600bar  
+10% F.S. for ranges from 1000 bar
- Accuracy: class 1, acc. to EN837 (class 1,6 for DN63) at 20°C
- Ambient temperature limit: -40/+60°C
- Fluid temperature limit: -30/+200°C element in AISI 316L, -30/+230°C element in MONEL
- Temperature error: 0,035%/°C in range 0/60°C
- Construction acc. to ATEX directive 94/9/EC , gr.II cat. 2GDc (on request)
- Construction according to PED directive 97/23/EC (on request)

### Options

- Overpressure 100% A.C.
- Accuracy 0,5%
- Case in AISI 316
- Safety glass window
- Glycerine filling for ambient temperature -25/+60°C
- Silicone oil filling for ambient temperature -40/+60°C
- Filling with fluorinated oil suitable for use on Oxygen and for ambient temperature -60/60°C
- Degreasing for use on oxygen
- Autoclave version for up 150°C ambient
- Mounting with diaphragm seal (see related datasheet)
- Electrical contacts (see related datasheet)
- Pulsation dampener (see related datasheet)
- Overpressure protector (see related datasheet)
- Syphon (see related datasheet)
- Needle valve (see related datasheet)
- Acrylic window with max value pointer resettable from front

### Available certification

- 2.1 Certificate of conformity
- 3.1 Material certificate
- Test certificate for indication accuracy
- ATEX 94/9/EC conformity certificate (for ATEX version)

### How to order

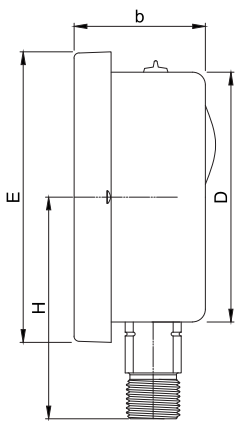
Please specify: model, mounting, case diameter, range, connection, options, certificates

Example: TP300, A, 100mm, 0/10bar, ½”BSPM,

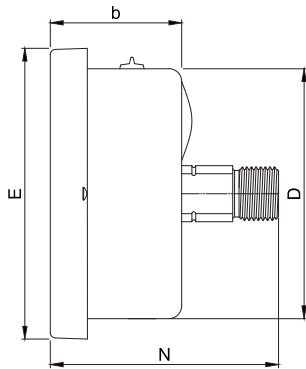
Pressure														
bar	0/0,6	0/1	0/1,6	0/2,5	0/4	0/6	0/10	0/16	0/25	0/40	0/60	0/100	0/160	0/250
psi		0/15	0/30	0/60	0/100	1/160	0/200	0/300	0/400	0/600	0/800	0/1000	0/1500	0/2000
bar	0/315	0/400	0/600	0/1000	0/1600									
psi	0/5000	0/6000	0/10000	0/15000	0/20000									

Vacuum and compound									
bar	-1/0	-1/+0,6	-1/+1,5	-1/3	-1/+5	-1/+9	-1/+15	-1/+24	
psi	-100/0		-100/+150	-100/+300	-100/+500	-100/+900	-100/+1500	-100/+2400	

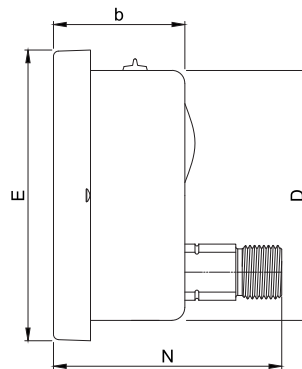
Other ranges and double scales available on request



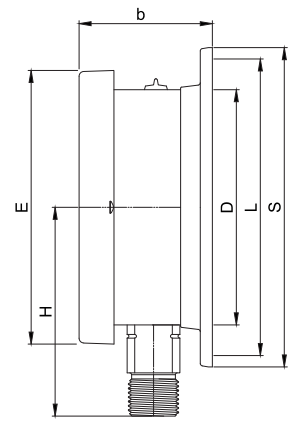
Type A: Direct mounting, bottom connection



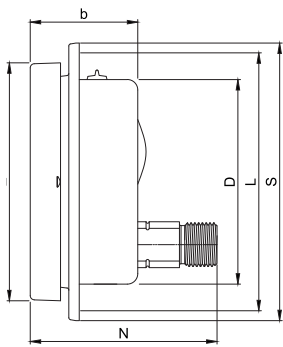
Type DC: Direct mounting, center back connection



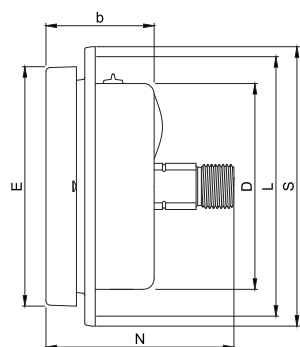
Type D: Direct mounting, back connection



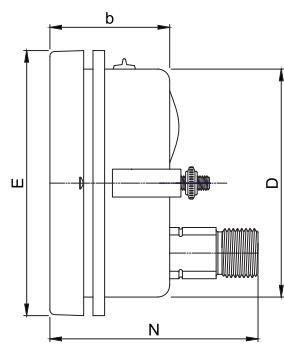
Type C: Surface mounting with 3 hole rear flange, back connection



Type E: Panel mounting, 3 hole front flange, back connection



Type EC: Panel mounting, 3 hole front flange, center back connection



Type B: Panel mounting, “U” type rear clamp, back connection

DN	b	D	E	H	L	N	S	Connection	Weight kg dry	Weight kg gly filled
63	30	63	68	52	75	50	85	¼”BSP/NPT	0,200	0,300
80	47	80	88	63	97	82	102	½”BSP/NPT	0,400	0,600
100	51	101	115	87	116	87	130	½”BSP/NPT	0,700	1,050
125	51	127	121	106	150	87	170	½”BSP/NPT	1,200	1,500
150	57	150	166	125	175	89	190	½”BSP/NPT	1,400	1,900
200	57	200	218	170	205	100	245	½”BSP/NPT	2,100	3,000