



Introduction

PCI's hygienic diaphragm seal gauges are manufactured to the highest possible standard in the United Kingdom, for use in the food process and pharmaceutical industry.

Special features

- Designed to prevent measurement errors caused by high or fluctuating temperatures
- Flush welded diaphragm (free of dead space)
- Diaphragm protected against rupture with backup convolution
- Helium leak tested to ensure integrity of diaphragm
- Suitable for CIP and SIP processes

Measuring range

- Min. 0 to 1 bar, max. 0 to 25 bar or 0 to 40 bar, vacuum and compound ranges



Tri - Clamp

Varivent®

DIN

SMS

RJT

IDF

Gauge specifications - Based on TP300 model (see related datasheet for more info)

- Diameters: 63-100-150 mm
- Case and ring: st. st. 304, bayonet type ring
- Protection degree: IP65
- Window: acrylic
- Movement: st.st., reinforced
- Dial: aluminium with black numerals on white background
- Pointer: aluminium, black painted, adjustable
- Blow out: neoprene, upper
- Mounting:
 - Type A bottom connection, direct mounting
 - Type D back connection, direct mounting
 - Type DC center back connection, direct mounting
- Accuracy: class 1, acc. to EN 837 (class 1,6 for DN63) at 20 °C
- Ambient temperature limit: -40/+60 °C

Diaphragm seal specifications

(See next page for hygienic connection types)

- Body material: AISI 316L
- Nut material: AISI 304
- Wetted parts and diaphragm material: AISI 316L

Options

- Diaphragm with surface roughness Ra <0.38 µm for high cleanability in CIP process
- Diaphragm connected to pressure gauge using a cooling tower or capillary
- Autoclave version for up 134°C ambient
- Glycerine filling for ambient temperature -25/+60 °C
- Silicone oil filling for ambient temperature -40/+60 °C
- Electrical contacts (see related datasheet)
- Acrylic window with max value pointer resettable from front

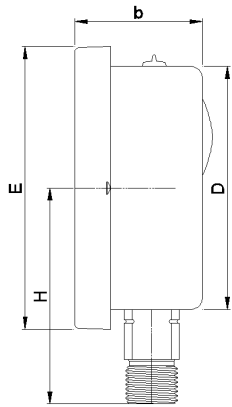
Available certification

- 2.1 certificate of conformity
- 3.1 material certificate
- Test certificate for indication accuracy
- FDA conformity for system fill fluid
- Others on request

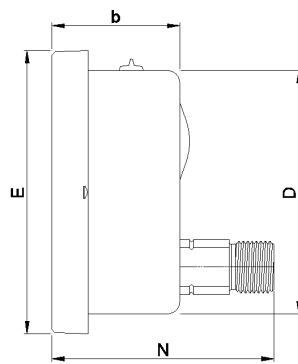
How to order

Please specify: model, case size, mounting, range, diaphragm seal, options, certificates

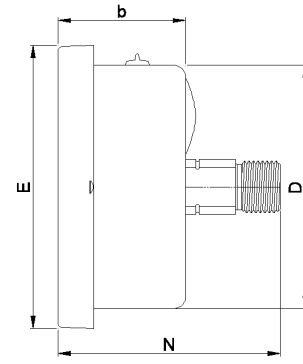
Example: TP300, 100 mm, A, 0-10 bar, 2" tri-clamp, glycerine, test certificate



Type A

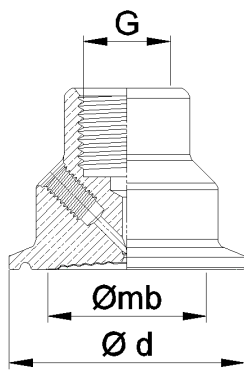


Type D

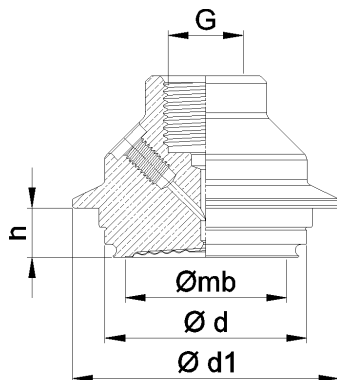


Type DC

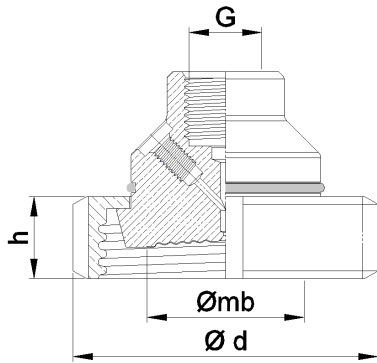
DN	b	D	E	H	L	N	S	Connection	Weight kg dry	Weight kg gly filled
63	30	63	68	52	75	50	85	¼" BSP/NPT	0,200	0,300
80	47	80	88	63	97	82	102	½" BSP/NPT	0,400	0,600
100	51	101	115	87	116	87	130	½" BSP/NPT	0,700	1,050
125	51	127	121	106	150	87	170	½" BSP/NPT	1,200	1,500
150	57	150	166	125	175	89	190	½" BSP/NPT	1,400	1,900
200	57	200	218	170	205	100	245	½" BSP/NPT	2,100	3,000



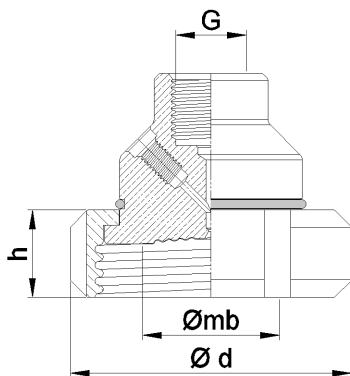
TRI-CLAMP – Standard ISO 2852				
Max pressure dependant on size and clamp type used				
DN	d	mb	G	Weight kg
1/2" / 3/4"	25	16	¼" BSP	0.2
1"	50.5	23	½" BSP	0.3
1 ½"	50.5	34	½" BSP	0.3
2"	64	46	½" BSP	0.5
2 ½"	77.5	58	½" BSP	0.6
3"	91	69	½" BSP	0.9
4"	119	95	½" BSP	1.5



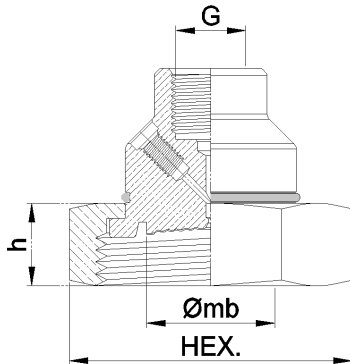
VARIVENT® COMPATIBLE CONNECTION (Model TU)						
(Trademark of Tuchenhausen GmbH)						
Max Working Pressure 40 bar						
Type	d1	d	h	mb	G	Weight kg
Form F	66	50	12.3	40	½" BSP	0.5
Form N	84	68	12.3	57	½" BSP	1.1



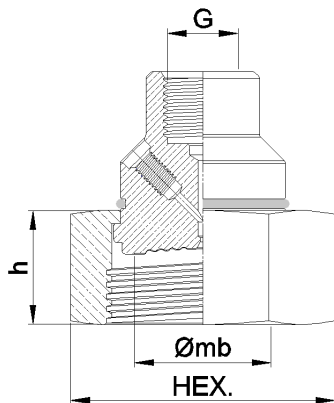
DIN – Standard 11851 (Model D1)					
DN 25-40 Max Working Pressure 40 bar					
DN 50-80 Max Working Pressure 25 bar					
DN	d	mb	h	g1	Weight kg
25	63	30	21	½" BSP	0.5
32	70	36	21	½" BSP	0.6
40	78	40	21	½" BSP	0.7
50	92	50	22	½" BSP	1.1
65	112	52	25	½" BSP	1.5
80	127	72	29	½" BSP	2.0



SMS – Standard 1145					
DN 1"-2" Max Working Pressure 40 bar					
DN 2½" Max Working Pressure 25 bar					
DN	d	mb	h	g1	Weight kg
1"	51	25	19	½" BSP	0.3
1 ½"	74	36	23	½" BSP	0.7
2"	84	48	24	½" BSP	0.9
2 ½"	100	52	28	½" BSP	1.3
3"	114	72	31	½" BSP	2.0



RJT APV– Standard BS 4825					
DN 1"-2" Max Working Pressure 40 bar					
DN 2½" Max Working Pressure 25 bar					
DN	HEX	mb	h	g1	Weight kg
1"	51	21	22	½" BSP	0.4
1 ½"	65	34	22	½" BSP	0.6
2"	79	46	22	½" BSP	0.9
2 ½"	92	60	22	½" BSP	1.2
3"	105	72	22	½" BSP	1.7



IDF – Standard BS 4825					
DN 1"-2" Max Working Pressure 40 bar					
DN 2½" - 3" Max Working Pressure 25 bar					
DN	HEX	mb	h	g1	Weight kg
1"	46	24	30	½" BSP	0.4
1 ½"	60	34	30	½" BSP	0.7
2"	75	45	30	½" BSP	1.0
2 ½"	90	60	30	½" BSP	1.6
3"	105	72	30	½" BSP	2.0