

ALL ST/ST PRESSURE GAUGE WITH PRESURE TRANSMITTER TRANSPRESS 100



The pressure gauges series TRANSPRESS TR100 have been realized to be used on machine and plants where is required the local indication of the pressure and the remote transmission of a normalized signal to record or control the process. The instrument is made of 2 independent elements, a Bourdon tube pressure gauge and a piezoresistive sensor so the pressure value measured is always reliable even when one of the sensors is out of calibration

The wetted parts in AISI316L, are suitable for a wide range of fluid. In case of application on incompatible fluids, a wide range of chemical seal is available.



TECHNICAL CHARACTERISTICS OF INDICATOR

Diameter: 100 mm
Case and ring: st. st. 304, bayonet type ring
Transparent: safety stratified glass basket in EPDM
Movement: st. st. reinforced
Dial: aluminium with black numerals on white background
Pointer: black steel with micrometric adjustment
Blow out: neoprene, upper
Sensing element: Bourdon tube type, with "C" form for pressure ≤ 60 bar, helical wound for pressure ≥ 60 bar
Sensing element material: AISI 316L
Connection material: AISI 316L
Welding: T.I.G.
Connection dimension: 1/2"NPTM or BSP
Mounting:
 type A bottom connection, direct mounting
 type D back connection, direct mounting
Ranges: see table at page 2
Overpressure:
 +30% F.S. for range up to 60bar
 +15% F.S. for ranges from 100 to 600bar
Accuracy: class 0,5% at 20°C ; class 1 for oil filled case

TECHNICAL CHARACTERISTICS OF TRANSMITTER

Output signal: 4/20mA 2 wires
Power supply: 8/24Vdc
Accuracy: $\pm 0,5\%$ f.s including linearity, hysteresis, repeatability
Working temperature: -10/+80°C
Compensated temperature range: 0/50°C
Global error: 1% typical, max 2% in the range 0/50°C
Shock: 20g sinusoidal, 11 m/sec
Insulation: ≥ 10 Mohms
Load in Ohm: U- 8V ; 0,02 A
Electrical connection: DIN43650

OPTIONS AND ACCESSORIES

- Case diameter 150mm
- Intrinsically Safe version EExialICT4/T6
- Mounting with diaphragm seal
- Flush mounting back-flange
- Front flange for panel mounting
- Degreasing for use on Oxygen
- Internal dampener (screw on the connection)
- Electrical contacts
- Mounting with diaphragm seal

HOW TO ORDER

Please specify: model, mounting, case diameter, range, process connection, options if any

Example:TR100, A, 100mm, 0/400bar, 1/2"BSPM

RANGES

Pressure																		
Bar	0/1	0/1,6	0/2,5	0/4	0/6	0/10	0/16	0/25	0/40	0/60	0/100	0/160	0/250	0/315	0/400	0/600	0/1000	0/1600
psi	0/15	0/30	0/60	0/100	1/160	0/200	0/300	0/400	0/600	0/800	0/1000	0/1500	0/2000	0/5000	0/6000	0/10000	0/15000	0/20000

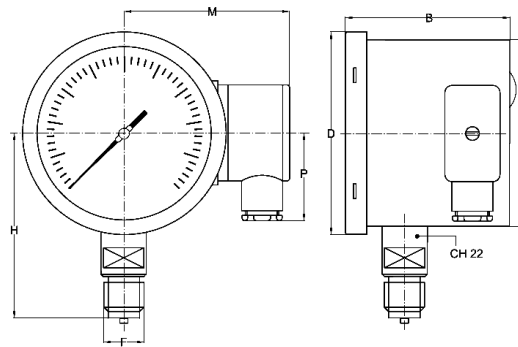
Available on request double scale : bar/psi – bar/kPa – psi/kg/cm² – kPa/psi

Receiver					
psi	0/20	0/30	0/40	0/60	3/15

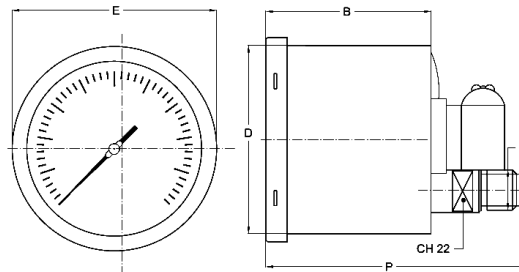
Available on request double scale : 3/15 / 0/10 linear – 3/15 / 0/10 √

Vacuum and compound								
Bar	-1/0	-1/+0,6	-1/+1,5	-1/3	-1/5	-1/9	-1/15	-1/+24
kPa	-100/0		-100/+150	-100/+300	-100/+500	-100/+900	-100/+1500	-100/+2400

Available on request double scale : bar/Hg-psi – bar/kPa – Hg-psi/kg/cm² – kPa/Hg-psi



Type A: Direct mounting, radial connection



Type D: Direct mounting, rear eccentric connection

DS	b	D	E	H	M	p	f	Weight/Kg dry	Weight/Kg filled
TR100A /100	60	101	115	87	90	50	½"G/NPT	0.900	1.2
TR100D /100	60	101	115			87	½"G/NPT	0.900	1.2