



### Introduction

The pressure gauges series PH100, can be installed on chemical and petrochemical plants with particularly aggressive environments, according to normative EN837-1/9.7.2 and ANSI B40.1.1.



### Specifications

- Diameters: 4 1/2"
- Case and ring: Phenol, black
- Safety back: Phenol, black
- Protection degree: IP65
- Transparent: stratified safety glass, gasket in neoprene
- Movement: St. St., reinforced
- Dial: aluminium with black numerals on white background
- Pointer: Aluminium., black painted, micrometric adjustable
- Blow out: Neoprene, upper
- Sensing element: Bourdon tube type, with "C" form for pressure  $\geq 60$  bar, helical wound for pressure  $\geq 60$  bar
- Element material: AISI 316L, MONEL 400
- Connection material: AISI 316L, MONEL 400
- Connection dimension: 1/2"NPTM or BSPM

- Mounting:
  - type A bottom connection, direct mounting
  - type D back connection, direct mounting
- Ranges: see table at page 2
- Overpressure:
  - +30% F.S. for range up to 60 bar
  - +15% F.S. for ranges from 100 to 600 bar
  - +10% F.S. for ranges from 1000 bar
- Accuracy: class 1, acc. to EN837-1 at 20°C
- Ambient temperature limit: -25/+60°C
- Fluid temperature limit:
  - 30/+160°C element in AISI316L
  - 30/+230°C element in MONEL
- Temperature error: 0,035%/°C in range 0/60°C
- Construction acc. to ATEX directive 94/9/EC gr.II cat. 2GDc
- Construction according to PED directive 97/23/EC

### Options

- Overpressure 400% A.C.
- Accuracy 0,5%
- Spacers for wall mounting
- Glycerine filling for T.amb.-25/+60°C
- Silicon oil filling for T.amb.-40/+60°C
- Filling with fluorinated oil suitable for use on Oxygen and for ambient temperature -60/60°C
- Degreasing for use on Oxygen
- Mounting with diaphragm seal (see related datasheet)
- Electrical contacts (see related datasheet)
- Pulsation dampener (see related datasheet)
- Overpressure protector (see related datasheet)
- Syphon (see related datasheet)
- Needle valve (see related datasheet)

### Available certification

- 2.1 certificate of conformity
- 3.1 material certificate
- Test certificate for indication accuracy
- ATEX 94/9/EC conformity certificate (for ATEX version)

### How to order

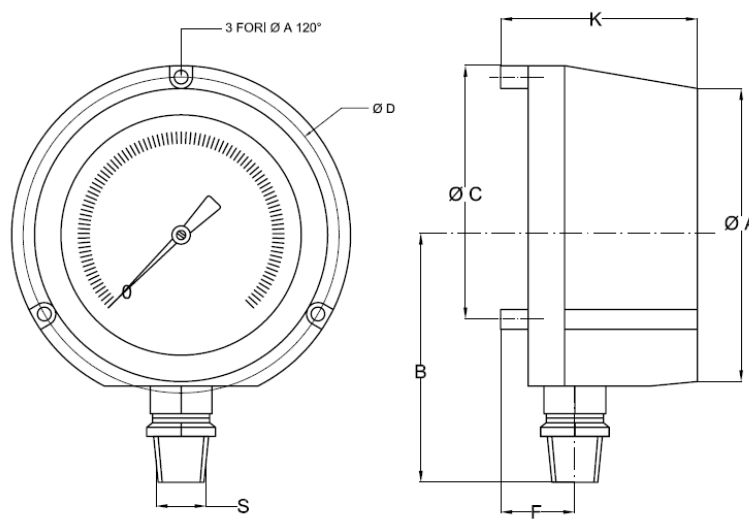
Please specify: model, mounting, range, connection, options, certificates

Example: PH100, A, 0/10 bar, 1/2" BSPM,

Pressure														
bar	0/0,6	0/1	0/1,6	0/2,5	0/4	0/6	0/10	0/16	0/25	0/40	0/60	0/100	0/160	0/250
psi		0/15	0/30	0/60	0/100	1/160	0/200	0/300	0/400	0/600	0/800	0/1000	0/1500	0/2000
bar	0/315	0/400	0/600	0/1000	0/1600									
psi	0/5000	0/6000	0/10000	0/15000	0/20000									

Vacuum and compound								
bar	-1/0	-1/+0,6	-1/+1,5	-1/3	-1/+5	-1/+9	-1/+15	-1/+24
psi	-100/0		-100/+150	-100/+300	-100/+500	-100/+900	-100/+1500	-100/+2400

Other ranges and double scales available on request



Type PH100A: Direct mounting, bottom connection

DS	A	B	C	D	F	J	K	S
130	129	102	148	137	42.5	56	79	16
4,1/2"	5,5/64"	4,1/64"	5,53/64"	5,25/64"	1,43/64"	7/32"	3,7/64"	5/8"